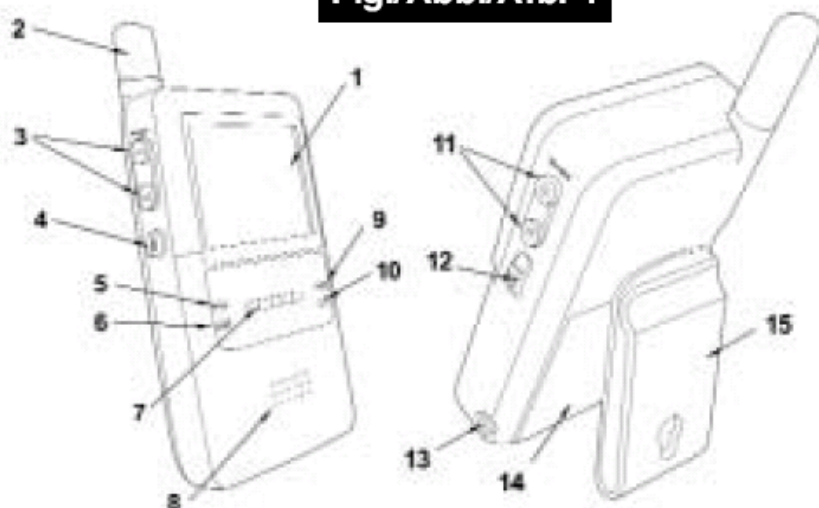


**Figures and Quick Guide / Abbildungen und Schnellanleitung
/ Figures et guide rapide / Afbeeldingen en snelstartgids /
Figuras y Guía Rápida / Figuras e guia rápida / Figurer og
hurtigstart / Figurer og Snabbstart**

Product layout / Produktübersicht / Figures des produits /
Productafbeeldingen / Figuras de los productos /
Figuras dos produtos / Produkttegninger / Produktskisser

Monitor / Moniteur

Fig./Abb./Afb. 1



Camera / Kamera / Caméra / Cámara / Câmera

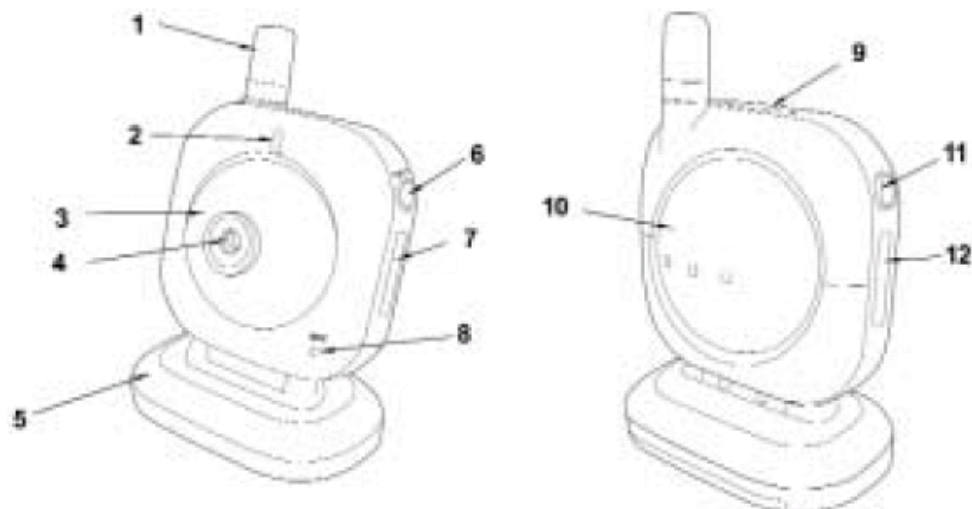


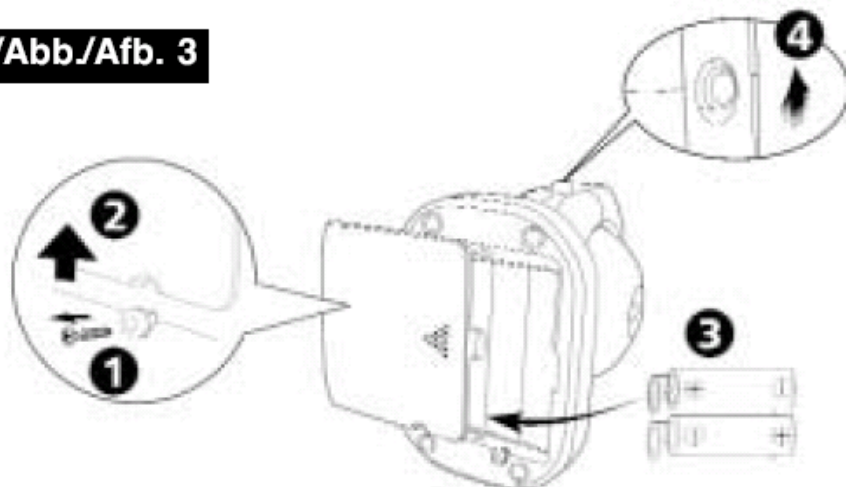
Fig./Abb./Afb. 2

1 Camera Setup / Einrichten der Kamera / Réglage de la caméra / Instelling camera / Configuración de la cámara / Instalar o câmara / Ibrugtagning af kamera / Oppsett kamera / Uppsatt kamera

1.1 Power Supply / Netzgerät /Alimentation / Stroomtoevoer / Suministro de corriente / Provisão da corrente / Strømforsyning / Strömförsörjning

Loading the Batteries / Einlegen der Batterien / Installation des piles / Het plaatsen van de batterijen / Instalación de las pilas / Instalación de las pilas / Isætning af batterier / Innsetting av batterier / Isättning av batterier

Fig./Abb./Afb. 3



Using AC Power / Anschließen an den Netzstrom / Utiliser l'alimentation CA / Wisselstroom gebruiken / Conexión del suministro de corriente alterna / Conexão do fornecimento da corrente alternada / Med brug af adapter / Med bruk av adapter / Med användning av adapter

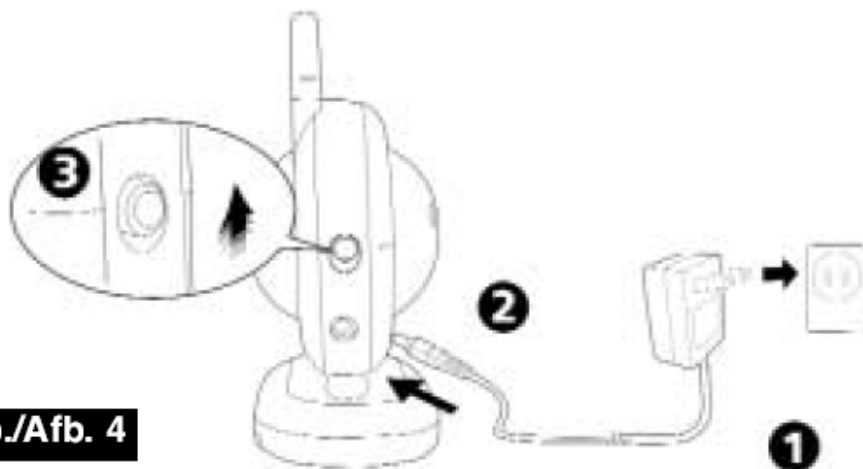


Fig./Abb./Afb. 4

1.2 Fine Tuning / Feinabstimmung / Réglages / Fijn afstellen / Ajuste preciso /
Ajuste exacto / Regulering af kameravinkel / Regulering
av kameravinkel / Reglering av kameravinkel

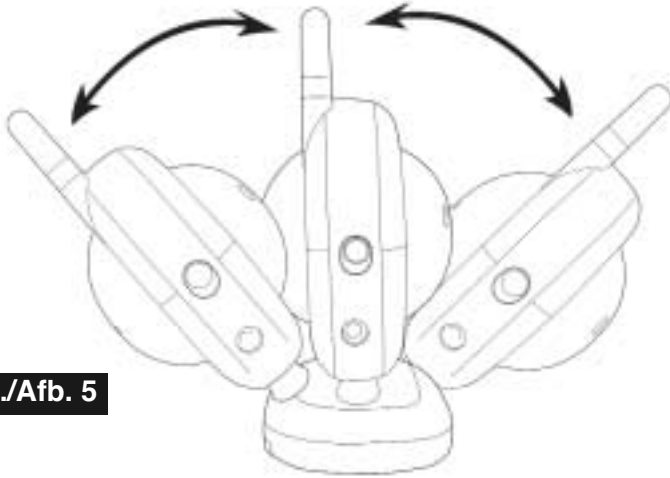


Fig./Abb./Afb. 5

1.3 Night light / Nachlicht / Veilleuse / Nachtlamp / Luz nocturna / Natlys /
Nattlys / Nattlampa

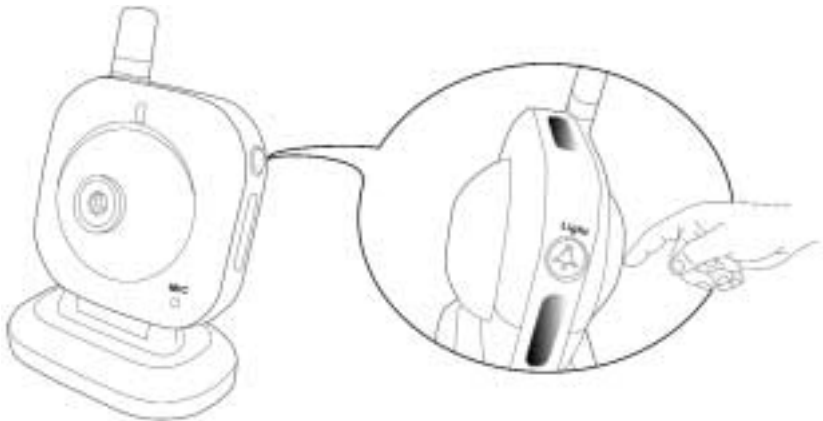
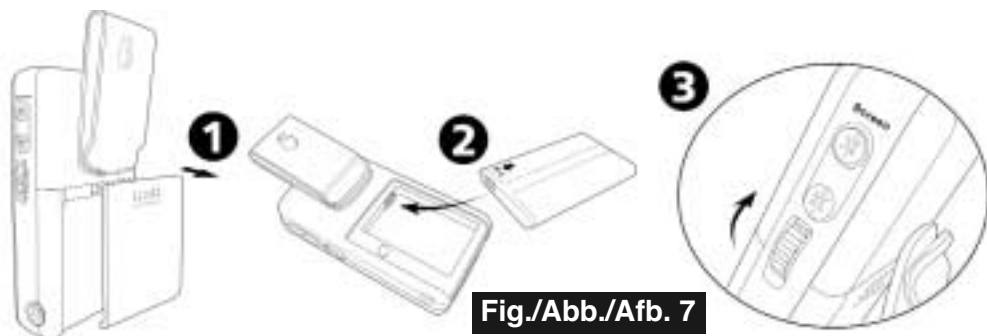


Fig./Abb./Afb. 6

2 Monitor Setup / Einrichten des Monitors / Réglage du moniteur / Instelling monitor / Configuración del monitor / Instalar o monitor / Ibrugtagning af monitor / Oppsett monitor / Uppsatt monitor

2.1 Power Supply / Netzgerät /Alimentation / Stroomtoevoer / Suministro de corriente / Provisão da corrente / Strømforsyning / Strömförsörjning

Loading the Battery / Einlegen der Batterien / Installation des piles / Het
plaatsen van de batterijen / Instalación de las pilas / Instalación de las pilas /
Isætning af batteri / Innsetting av batteri / Isättning av batteri



Note: The Li-ion battery supplied should be charged for 10 hours before it is used for the first time.

Hinweis: Die beiliegende Li-Ion-Batterie sollte vor dem ersten Einsatz 10 Stunden geladen werden.

Note: La batterie Li-ion fournie doit être chargée pendant 10h avant la première utilisation.

Opmerking: De meegeleverde Li-ion batterij moet 10 uur opgeladen worden vóór het eerste gebruik.

Nota: La pila Li-ion incluida se deberá cargar durante 10 horas antes de usar por primera vez.

Nota: A pilha Li-ion incluída se deverá carregar durante 10 horas antes de ser por primeira vez.

NB! Oplad batteriet 10 timer første gang / Lad batteriet 10 timer første gang.

OBS! Ladda batteriet 10 timmar första gången.

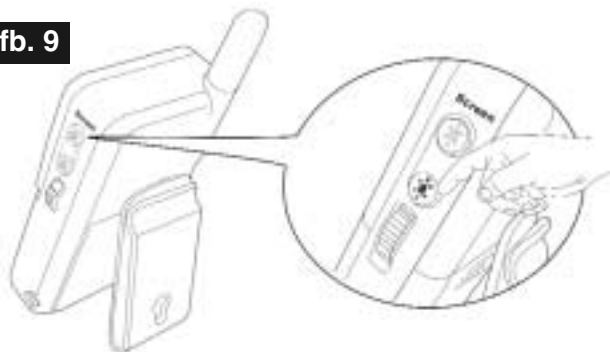
Using AC Power / Anschließen an den Netzstrom / Utiliser l'alimentation CA / Wisselstroom gebruiken /
Conexión del suministro de corriente alterna / Conexão do fornecimento da corrente alternada / Med
brug af adapter / Med bruk av adapter / Med användning av adapter.

Fig./Abb./Afb. 8



2.2 Brightness Setting / Helligkeitseinstellung / Réglage de la luminosité / Instelling Helderheid / Ajuste del brillo / Ajuste do brilho / Justering af lysstyrke / Justering av lysstyrke / Justering av ljusstyrka

Fig./Abb./Afb. 9



2.3 VOX (voice-operated transmission) Function / VOX (sprachgesteuerte Übertragung) Funktion / Fonction VOX (transmission vocale) / VOX (stemgestuurd omschakelen van ontvanger naar zender) functie / Función VOX (transmisión activada por voz) / Função Vox (transmissão activada por voz) / Stemmestyrket sending / Stemmestyrkt sending / Röststyrd sändning

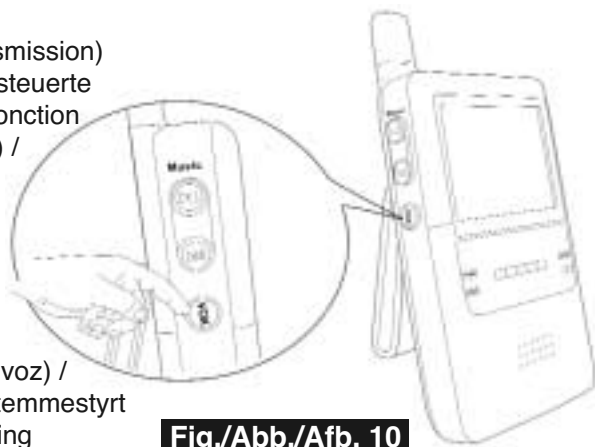
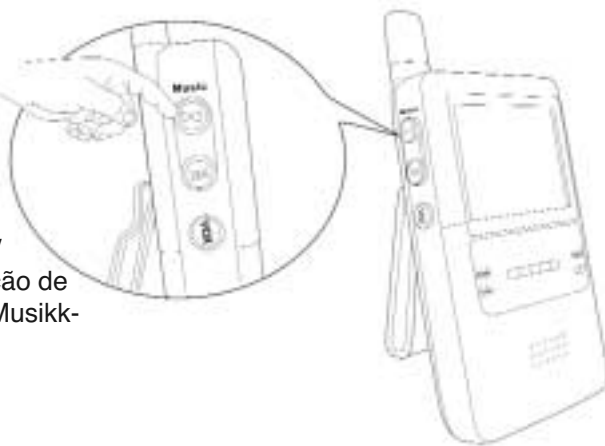


Fig./Abb./Afb. 10

Fig./Abb./Afb. 11

2.4 Music Function / Musikfunktion / Fonction musicale / Muziekfunctie / Función de música / Função de música / Musikfunktion / Musikkfunksjon / Musikfunktion



Package Content

One Camera
One Monitor
Two Power Adapters
Battery for Monitor (3.7V 1000mAH Li-ion)
One wall bracket
This User's Manual

Product Layout**Monitor (Fig. 1)**

1. LCD screen
2. Antenna
3. Music selection buttons
4. VOX:Voice Operated Transmission button
5. Power indicator LED
6. Link indicator LED
7. Volume indicator LEDs
8. Speaker
9. VOX (Voice Operated Transmission) indicator LEDs
10. Music indicator LEDs
11. Brightness adjustment buttons
12. Power / Volume control
13. Power adapter plug
14. Battery compartment
15. Clamp

Camera (Fig. 2)

1. Antenna
2. Power indicator LED
3. Infrared LEDs
4. Lens
5. Supporting stand
6. Night-light
7. Night-light button
8. Microphone
9. Speaker
10. Battery compartment
11. Power ON / OFF switch
12. Power adapter plug

1 Camera Setup

1.1 Power Supply

The camera uses either 4 AAA-Size batteries (alkaline battery recommended) or the household AC power current.

Loading the Batteries

1. Loosen the screw on the bottom of the camera by using a screw driver. See Fig. 3.
2. Open the battery compartment cover . See Fig. 3.
3. Insert 4 AAA-size batteries (follow the plus (+) and minus (-) signs inside the battery compartment). See Fig. 3.
4. Close the battery compartment cover, and make sure it is locked securely.

Note 1: Do not mix old batteries with new ones.

Note 2: Remove the batteries from the camera if you do not plan to use it for a prolonged period of time.

5. Slide the POWER switch to the ON position. The LED on the camera will light up (red light). See Fig. 3.

Note: When battery power is sufficient, the light is constantly red; when the battery is low, the LED light will start blinking.

Using AC Power

1. Plug one end of the provided power adapter into a wall outlet and the other end into the bottom of the camera. See Fig. 4.
2. Slide the ON/OFF switch to the ON position. The LED on the camera will light up (red light). See Fig. 4.

1.2 Fine Tuning

Place the camera in a convenient location, point the lens towards the observation area and adjust the angle by rotating the lens head.

See Fig. 5.

Find the best location for the camera before installing the wall bracket.

1.3 Night light

Press the night light button, the night light LEDs will remain ON.

See Fig. 6.

1.4 Night vision

The camera has nine high-intensity LEDs for picking up clear images in the dark. When the built-in photo sensor detects low ambient light levels, the LEDs will automatically activate.

Note: The image changes to black-and-white when Night Vision is active.

2 Monitor Setup

2.1 Power Supply

The monitor uses 3.7V 1000mAH (Li-ion) battery or the household AC power current. The battery lasts for up to 3.5 hours with the display on and up to 7 hours when the VOX function is in use (display off).

Note: Rechargeable batteries are a disposable product. They deteriorate gradually during use.

Extra battery packs can be purchased from your dealer. If you encounter problems, consult the troubleshooting chart.

Loading the Battery

Note: The Li-ion battery supplied should be charged for 10 hours before it is used for the first time.

1. Open the battery compartment cover on the rear of the monitor. See Fig. 7.
2. Insert the battery and make sure the polarity is correct. See Fig 7.
3. Close the battery compartment cover, and make sure it is locked securely.
4. Turn the monitor on. See Fig 7.

Note 1: When battery power is sufficient, the light is constantly red; when the battery is low, the LED light will start blinking.

Note 2: Remove the battery from the monitor if you do not plan to use it for a prolonged period of time.

5. Adjust the volume to a comfortable level.

Using AC Power

1. Plug one end of the provided power adapter into a wall outlet and the other end into the bottom of the monitor. See Fig. 8.
2. Turn the monitor on. See Fig.8.
3. Adjust the volume to a comfortable level.

Note 1: When charging starts, and "ON" LED will appear blue . If charging is finished (full charge), the "ON"LED light will turn red.

Note 2: When the camera and the monitor is linked , the "Link" LED will become green; otherwise, the "Link" LED will become red and blinking.

Note 3: No image would be displayed on the LCD screen if the monitor is out of range (unlink).

2.2 Brightness Setting

Adjust the Brightness selection button ☀/🌑 to adjust brightness. See Fig. 9.

2.3 VOX (voice-operated transmission) function

1. Press the "VOX" button on the side of the monitor. This will turn off the screen but the "VOX" LED will remain ON. See Fig 10.
2. When the sound from the camera reaches the set level, the screen will turn on automatically. It will turn off again after 30 seconds if no sound is detected.

2.4 Music Function

You can play the music with the camera (three pieces of music) .

1. Press the play button ▶■, the camera will play music. See Fig 11.
2. When you press the play button again, the music will be paused. See Fig 11.
3. Press the next button ▶▶ when the music is playing, the camera will play the next song.

Note: If you activate the music function, the music button LED 🎵 will remain ON (red).

Troubleshooting

What to do if you cannot see any images or if the image is “frozen” (still image).

- Make sure the camera and the monitor are turned on.
- Check that the green link indicator is lit.
- Make sure the power plugs are pushed all the way in.
- If the camera/monitor is powered by batteries, replace all batteries with new ones or use adapter.
- If the power LED is on but only voice signal input is detected, the monitor can be in voice-activated mode. Press the Auto button to turn on the screen.

If the signal is poor, or there is interference

- If there is a microwave oven in use in the path between the camera and monitor, remove the microwave oven or turn it off.
- Check that the green link indicator shows a steady light.

- Make sure the camera and the monitor are within range of each other (range of approximately 150 meters in a clear line of sight).
- Keep all parts and accessories out of young children's reach.
- Fingerprints or dirt on the lens surface can adversely affect camera performances. Avoid touching the lens surface with your fingers.
- Should the lens become dirty, use a blower to blow off dirt and dust, or a soft, dry cloth to wipe off the lens.
- Keep the camera dry. Precipitation, humidity, and other liquids contain minerals will corrode electronic circuits.
- Do not use or store in dusty, dirty areas.
- Do not store in hot areas. High temperatures can shorten the life of electronic devices and warp or melt certain plastics.
- Do not store in very cold areas. When the system warms up (to its normal temperature), moisture can form inside the case, which may damage electronic circuit boards.
- Do not attempt to open the case. Non-expert handling of the device may damage the system.
- Avoid dropping or strong shocks.
- Operate this product using only with the power supply included or provided as an accessory.
- Do remember that you are using public airwaves when you use the system and that sound and video may be broadcast to other 2.4 GHz receiving devices.
- Conversations, even from rooms near the camera, may be broadcast. To protect the privacy of your home, always turn the camera off when not in use.

Warranty

The warranty is for two years from the date of purchase. It becomes void if the devices are opened or if repair attempts have been made by non-approved personnel. Repairs must always be done at an ESD-secure workplace. The warranty does not cover batteries, since their life depends on how they are used. Physical damage to belt attachment, camera foot ball joint, other breakages in plastic housings/attachments or the display are not covered by the warranty since they are only due to careless handling.

If you wish to make a complaint about the product, please send a detailed description of the fault, together with the copy of the purchase receipt. By providing a complete description you ensure that you will receive professional service and will be just as satisfied with **NOVA** quality products as thousands of other users throughout Europe.